

Mini-Hermet Pressure Switches

Mini-Hermet Pressure Switches are robust field-mounted instruments. The pressure sensing assembly is similar to a conventional SOR type. The main difference is that the switching element assembly is hermetically sealed in an explosion proof steel capsule. Switching elements are SPDT or DPDT. See Principle description on page 2.

Application Information

The pressure switches in this catalog are suitable for a variety of process applications in hazardous locations and hostile environments where stainless steel exterior parts are required and where space is limited. Basic models with standard wetted parts are normally suitable for air, oil, water and non-corrosive process fluids. See the Quick Selection Guide on page 4.

Corrosive service and particular user requirements may require optional components. See How to Order on page 3. Adjustable ranges to accommodate lower Set Points, switching elements to handle heavier electrical loads and user preference may require Big Hermet models.

High pressure fluid power (hydraulic) applications where high shock pressures and high cycle rates are expected normally require Pivot Seal type pressure switches.



Features and Benefits

Robust Construction

- High cycle rate tolerance, long life, not critical to vibration, protected internal hermetically sealed switching element capsule.

Instrument Quality

- High resolution of Set Points, high repeatability, narrow dead band, negligible temperature effect, high overrange and proof pressures.

Explosion Proof Hermetically Sealed Switching Capsule

- Isolates switching elements from corrosive, hostile and hazardous environments and virtually eliminates problems from corrosion.

Field Adjustable Set Points

- Full range adjustability without disconnecting electrical power while maintaining explosion proof integrity, self-locking adjustment, no charge for factory calibration.

Cost Effective

- Simple, fast installation without special tools, long service life. Periodic service or spare parts not required.

Agency Listings/Certification

- Select models with ATEX, IECEx, CSA, INMETRO, Rostechnadzor (RTN), SAA, UL
- Meets most code and customer requirements.

Safety Certified to IEC 61508 (SIL)

- SOR products are certified to IEC 61508 for non-redundant use in SIL1 and SIL2 Safety Instrumented Systems for most models. For more details or values applicable to a specific product, see the Safety Integrity Level Quick Guide (Form 1528).

Built-In Quality

- Rigid quality standards maintained from raw material to finished product.

Delivery

- Routine shipments 7 to 10 working days. Emergency shipments via air within 48 hours.

Service

- Factory service engineers and area factory representatives provide effective and prompt worldwide service.

Warranty

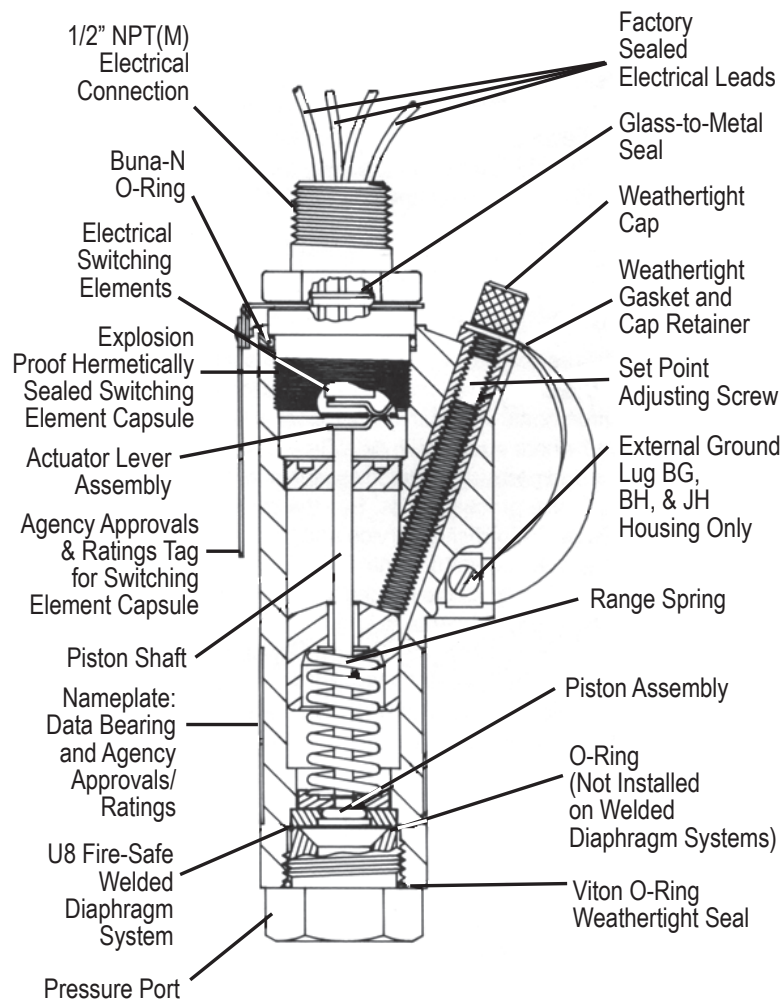
- 3 years from date of manufacture.

Mini-Hermet Pressure Switches

Operating Principle

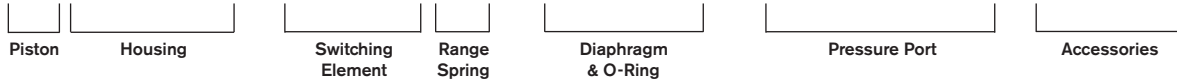
The pressure sensing element of the SOR Pressure Switch is a force-balance, piston-actuated assembly. The sensing element is sealed by a flexible diaphragm and a static o-ring. There are only three wetted parts in this arrangement: a pressure port, a diaphragm and an o-ring. A wide selection of wetted parts materials for media compatibility and containment are available. A metal diaphragm may be welded to the pressure port for certain applications, thereby eliminating the o-ring (Designators U8 and U9).

Media pressure on the piston counteracts the force of the range spring (adjustable by the adjusting screw) which moves the piston shaft only a few thousandths of an inch to directly actuate the electrical snap-action switching element that is enclosed in the hermetically sealed steel capsule. This design results in low friction and virtually no wear. The electrical switching element is isolated from corrosive atmospheres.



Model Number System

6AG-EF3-M4-C2A-YY



Quick Selection Guide

Basic Mini-Hermet pressure switches in AG or AH housings with standard wetted parts are normally suitable for air, oil, water and non-corrosive process applications in hazardous locations and hostile environments where space is limited. Refer to the Quick Selection Guide section on page 4 for a basic model number. Corrosive service and particular customer requirements may require optional components. Refer to the How to Order section below to build a customized model number or the dedicated page to locate optional components, such as: switching elements, diaphragm systems, pressure ports and accessories. Each position in the model number, except Accessories, must have a designator.

Applications

Mini-Hermet pressure switches in the AG and AH housings are normally suitable for a variety of process applications in hazardous locations and hostile environments because the electrical switching elements are hermetically sealed in a stainless steel capsule that is UL Listed, CSA Certified, ATEX and SAA Approved as an explosion-proof snap switch. Specific customer or code requirements for the complete pressure switch to be UL Listed, CSA Certified or ATEX/IECEX Approved can normally be met by specifying an AP, AS, BG or BH and U8 diaphragm system. See pages 6, 7, 8 and 10 for details. Other application requirements can normally be met by selecting optional components, such as: switching elements, diaphragm systems and pressure ports. Certain applications may require customized specials. Consult the factory or the SOR representative in your area. Conventional explosion-proof pressure switches for process applications are shown in Form 216.

High-pressure fluid power (hydraulic) applications where high shock pressure and high cycle rates are expected normally require Pivot Seal type pressure switches. Refer to SOR Catalog 219.

How to Order

Information and data in this catalog are formatted to provide a convenient guide to assist instrument engineers, plant engineers and end users in selecting pressure switches for their unique applications.

Steps 1 through 5 required. Step 6 optional. Orders must have complete model numbers, i.e. each component must have a designator.

Step 1: Select Piston-Spring Adjustable Range/Set Point from **Specification** (page 5).
(Piston/Spring combination determines adjustable range.)

Step 2: Select **Housing** for type of pressure switch and service (page 6).

Step 3: Select electrical **Switching Element** for electrical service (page 7).

Step 4: Select **Diaphragm and O-Ring** for process compatibility and containment (page 8).

Step 5: Select **Pressure Port** for process compatibility and connection (page 9).

Step 6: Select **Accessories** required for service (page 11).

If Agency Approved, Certified or Listed pressure switches are required, see page 12 for components that must be specified.

Mini-Hermet Pressure Switches

Quick Selection

Basic Mini-Hermet pressure switches with AG - Aluminum or AH - Stainless Steel housings and standard wetted parts are normally suitable for air, oil, water and non-corrosive processes in hazardous locations and hostile environments. The Set Point must be within the adjustable range. Refer to How to Order section on page 3 to locate optional components. Each position in the model number, except Accessories, must have a designator.

Pressure

| Model Number | Adjustable Range psi | Typical Dead Band psi | Overrange psi | Proof psi |
|-----------------------|-------------------------|-----------------------------|------------------|--------------|
| 6AG - EF2 - N4 - F1A | 7 to 30 | 1.6 | 1500 | 2500 |
| 6AG - EF3 - N4 - F1A | 12 to 100 | 2.7 | | |
| 6AG - EF5 - N4 - F1A | 20 to 180 | 4.2 | | |
| 6AG - EF45 - N4 - F1A | 25 to 275 | 5.7 | | |
| 5AG - EF3 - N4 - F1A | 25 to 240 | 6.6 | | |
| 5AG - EF5 - N4 - F1A | 35 to 375 | 9.3 | | |
| 5AG - EF45 - N4 - F1A | 45 to 550 | 11.7 | | |
| 9AG - EF4 - N4 - F1A | 100 to 500 | 15.9 | 2500 | 6000 |
| 9AG - EF5 - N4 - F1A | 200 to 1000 | 27.6 | | |
| 9AG - EF45 - N4 - F1A | 200 to 1750 | 45 | | |
| 1AG - EF45 - N4 - F1A | 500 to 4000 | 294 | 5000 | 6000 |

Vacuum

| Model Number | Adjustable Range in. Hg vacuum to pressure | Typical Dead Band in. Hg | Overrange psi | Proof psi |
|-------------------------|--|--------------------------------|------------------|--------------|
| 56AG - EF216 - M2 - C1A | 30 - 0 - 20 | 2.5 | 1500 | 2500 |
| 56AG - EF316 - M2 - C1A | 30 - 0 - 160 | 3.5 | | |

Standard Construction

1. Housing: AG–Aluminum or AH - Stainless Steel. See Housing and Dimensions pages for details.
2. Switching element: EF–SPDT 5A 250 VAC. See Switching Element page for optional switching elements.
3. Diaphragm & O-Ring: N4–primary (wetted) diaphragm TCP, o-ring (wetted) Buna-N. See Diaphragm & O-Ring page for optional diaphragm and o-ring systems.
4. Pressure port: F1A–Carbon steel 1/4" NPT(F). When AH - Stainless Steel housing is specified, pressure port must be C1A - 316SS 1/4" NPT(F). See Pressure Port page for optional pressure ports.
5. Dead band values are expressed as typical expected at mid-adjustable range with the standard EF switching element assembly installed. See Dead Band Considerations on page 7.

Mini-Hermet Pressure Switches

Step 1: Pressure Specification

6AG-EF3-M4-C2A-YY

This table is a listing of piston-spring combinations and the corresponding adjustable ranges, dead bands, overrange and proof pressures. Adjustable range is expressed for increasing pressure; the Set Point must be within the adjustable range. Dead band is expressed as typical. See Dead Band Considerations at the bottom of switching element page 7.

| Piston-Spring Designator | Adjustable Range | | Typical Dead Band | | Overrange | | Proof | |
|--------------------------|------------------|-----------|-------------------|------------|-----------|-----|-------|-----|
| | psi | bar | psi | bar [mbar] | psi | bar | psi | bar |
| 6 - 2 | 7 to 30 | 0.5 to 2 | 1.6 | [114] | 1500 | 100 | 2500 | 170 |
| 6 - 3 | 12 to 100 | 0.8 to 7 | 2.7 | [184] | | | | |
| 6 - 5 | 20 to 180 | 1.4 to 12 | 4.2 | [289] | | | | |
| 6 - 45 | 25 to 275 | 1.7 to 19 | 5.7 | [393] | | | | |
| 5 - 3 | 25 to 240 | 1.7 to 16 | 6.6 | 0.5 | | | | |
| 5 - 5 | 35 to 375 | 2.4 to 26 | 9.3 | 0.6 | | | | |
| 5 - 45 | 45 to 550 | 3.1 to 38 | 11.7 | 0.8 | 2500 | 170 | 6000 | 410 |
| 9 - 4 | 100 to 500 | 7 to 35 | 15.9 | 1.0 | | | | |
| 9 - 5 | 200 to 1000 | 14 to 70 | 27.6 | 1.9 | | | | |
| 9 - 45 | 200 to 1750 | 14 to 120 | 45 | 3.1 | 5000 | 340 | 6000 | 410 |
| 1 - 45 | 500 to 4000 | 35 to 275 | 294 | 20.3 | | | | |

Step 1: Vacuum Specification

56AG-EF216-M4-C2A-YY

This table is a listing of piston-spring combinations and the corresponding adjustable ranges, dead bands, overrange and proof pressures. SOR vacuum switches are compound; they will operate in either vacuum or pressure modes. Adjustable range is expressed from maximum vacuum decreasing to zero gauge and increasing to maximum pressure. Dead band is expressed as typical. See Dead Band Considerations on bottom of page 7. The Set Point must be within the adjustable range. A vacuum switch is generally better suited than a pressure switch for Set Points very near zero gauge.

| Piston-Spring | Adjustable Range Vacuum - O Pressure | | Typical Dead Band Vacuum Mode | | Overrange | | Proof | |
|---------------|--------------------------------------|---------------|-------------------------------|--------|-----------|-----|-------|-----|
| | in. Hg | bar | in. Hg | [mbar] | psi | bar | psi | bar |
| 56 - 216 | 30 - 0 - 20 | 1.0 - 0 - 0.7 | 2.5 | [85] | 1500 | 100 | 2500 | 170 |
| 56 - 316 | 30 - 0 - 160 | 1.0 - 0 - 5.4 | 3.5 | [120] | | | | |

Notes

1. Dead band values are expressed as typical expected at mid-range with the standard EF switching element assembly installed. When optional switching elements are specified, corresponding dead band multipliers shown on page 7 must be applied.
2. Special ranges may be possible. Consult the factory or the SOR representative in your area.
3. Diaphragms may have an additional effect on dead band. Consult the factory. See Notes on page 8.
4. Metric bar (mbar) values are practical equivalents of the reference English values; not necessarily exact mathematical conversions. This data appears on the product nameplate when metric engineering units are specified.

Design and specifications are subject to change without notice. For latest revision, see SORInc.com.

Mini-Hermet Pressure Switches

Step 2: Housing
6AG-EF3-M4-C2A-YY

| Service | Description | Designator |
|---|--|------------|
| Hazardous Locations (UL Listed, CSA Certified & SAA Approved Snap Switch) | Housing contains explosion-proof snap switch for hazardous locations and hostile environments. UL Listed, CSA Certified Class I, Group A, B, C, D; Class II, Group E, F, G, Divisions 1 & 2 and SAA Approved Ex s Zone 2 IIC T4 IP65, Ex tD A22 T105°C IP65. See details Note 3, page 7. Electrical conduit connection 1/2" NPT(M). NEMA 4, 4X, IP65, IP66, IP67. Material: Copper-free aluminum*. | AG |
| Hazardous Locations (UL Listed, CSA Certified & SAA Approved Snap Switch) | Housing contains explosion-proof snap switch for hazardous locations and hostile environments. UL Listed, CSA Certified Class I, Group A, B, C, D; Class II, Group E, F, G; Divisions 1 & 2 and SAA Approved Ex s Zone 2 IIC T4 IP65, Ex tD A22 T105°C IP65. See details Note 3, page 7. Electrical conduit connection 1/2" NPT(M). NEMA 4, 4X, IP65, IP66, IP67. Material: Stainless steel. | AH |
| Hazardous Locations (UL Listed/CSA Certified Pressure Switch) | UL Listed and CSA Certified pressure switch Class I, Group A, B, C, D; Class II, Group E, F, G; Divisions 1 & 2 for hazardous locations and hostile environments. See details, page 12. U8 fire-safe diaphragm system designator required. Electrical conduit connection 1/2" NPT(M). NEMA 4, 4X, IP65, IP66, IP67. Material: Copper-free aluminum*. | AP |
| Hazardous Locations (UL Listed/CSA Certified Pressure Switch) | UL Listed and CSA Certified pressure switch Class I, Group A, B, C, D; Class II, Group E, F, G; Divisions 1 & 2 for hazardous locations and hostile environments. See details, page 12. U8 fire-safe diaphragm system designator required. Electrical conduit connection 1/2" NPT(M). NEMA 4, 4X, IP65, IP66, IP67. Material: Stainless steel. | AS |
| Flammable Atmospheres (ATEX/IECEX Approved Pressure Switch) | ATEX/IECEX Approved pressure switch Ex db IIC T5/T6 Gb for flammable atmospheres and hostile environments. See details, page 12. Electrical conduit connection 1/2" NPT(M). NEMA 4, 4X, IP65. Material: Copper-free aluminum*. | BG |
| Flammable Atmospheres (ATEX/IECEX Approved Pressure Switch) | ATEX/IECEX Approved pressure switch Ex db IIC T5/T6 Gb for flammable atmospheres and hostile environments. See details, page 12. Electrical conduit connection 1/2" NPT(M). NEMA 4, 4X, IP65, IP66, IP67. Material: Stainless steel. | BH |

Note

Mini-Hermet pressure switches with AG and AH housings are not agency listed, certified or approved. However, the hermetically sealed electrical switching element capsules in them are UL Listed, CSA Certified and SAA Approved as explosion-proof snap switches for hazardous locations. See page 14 for dimensional details.

*Consult the factory.

Mini-Hermet Pressure Switches

Step 3: Switching Element

6AG-EF3-M4-C2A-YY

| Service | Contact Form | Electrical Connection | AC Rating (See Note 1) | | DC Rating (See Note 1) | | | | Dead Band Multiplier | Designator |
|--|--------------|--|------------------------|------|------------------------|------|-------|------|----------------------|------------|
| | | | volts | amps | volts | amps | volts | amps | | |
| Normal AC/DC | SPDT | 18" 18 AWG Color-Coded Standard Wire Leads | 250 | 11 | 125 | .5* | 30 | 5 | 1.5 | AF |
| | | | | 5 | 125 | .5* | 30 | 5* | 1.0 | EF |
| | DPDT | | | 11 | 125 | .5* | 30 | 5 | 3.0 | AG |
| | | | | 5 | 125 | .5* | 30 | 5* | 2.0 | EG |
| Gold Contacts for Low Power Data Acquisition Interface | SPDT | 1/2" NPT(M) Conduit Connection | 125 | 1 | - | - | 30 | 1 | 1.0 | JF |
| | DPDT | | | 1 | - | - | 30 | 1 | 2.0 | JG |

Notes

- AC/DC electrical ratings in the table above are UL Listed, CSA Certified, ATEX, SAA and JIS/RIIS Approved with the following conditions and exceptions:
 - JF and JG are not SAA and JIS/RIIS Approved.
 - DC electrical ratings are for resistive loads only.
 - DC ratings marked with an asterisk (*) are not agency approved, certified or listed but have been verified by testing or experience.
 - AF, AG, JF and JG are also ATEX Approved for 0.5 amps 125 VDC (resistive) when used with a BG or BH housing.
- Switching Elements AG, EG and JG have two separate SPDT switching elements that are operated by a single lever for DPDT switching action. Simultaneous actuation or deactuation occurs at both increasing and decreasing Set Points. Two independent electrical circuits can be simultaneously switched, i.e. one AC and one DC.
- The hermetically sealed switching element capsule is UL Listed, CSA Certified, ATEX and SAA Approved as an explosion-proof snap switch per the table to the right.
- Ambient Temperature Limits: -40 to 167°F (-40 to 75°C)
- Electrical connections are 18" 18 AWG color-coded stranded wire leads unless Accessory TB, HT, HB or HMBE (electrical junction box with screw terminals) are specified.

| Agency | Hazardous Location Conditions | Designator |
|----------------------------|--|---------------------------|
| UL Listed CSA Listed | Class I, Group A, B, C, D Class II, Group E, F, G; Divisions 1 & 2 | AF, EF, AG, EG, JF, JG |
| SAA Approved | Ex s Zone 2 IIC T4 IP65 Ex tD A22 T105°C IP65 | AF, EF, AG, EG, JF, JG |
| ATEX Approved | II 2 G EEx mII | AF, EF, AG, EG, JF, JG |

6. Wire Lead Color Code

| | | | |
|------------|------------|-----|-----------------------|
| EF, AF, JF | Red | NC | (Normally Closed) |
| | Black | NO | (Normally Open) |
| | Blue | C | (Common) |
| | Green | G | (Ground - Earth) |
| | EG, AG, JG | Red | NC1 |
| Black | | NO1 | (Normally Open - 1) |
| Blue | | C1 | (Common - 1) |
| Orange | | NC2 | (Normally Closed - 2) |
| Brown | | NO2 | (Normally Open - 2) |
| Yellow | | C2 | (Common - 2) |
| | Green | G | (Ground - Earth) |

CAUTION: The hermetically sealed switching element capsule assembly has been precisely positioned in the housing; over-travel has been precisely adjusted and secured at the factory for optimum performance. Field replacement of the capsule is not practical and is not recommended. Removal or breakage of the tack weld voids the warranty. Movement of the capsule in the housing will degrade performance and could render the device inoperative.

Dead Band Considerations

- Dead band values are expressed as typical expected at mid-range with the standard EF switching element assembly installed. When optional switching elements are specified, corresponding dead band multipliers must be applied.
- Dead bands are fixed (non-adjustable).
- Dead band can be widened by selecting an optional switching element with a multiplier greater than 1.0.
Example: Model 5AH-AG3-M4-C2A-YY
Typical Dead Band: 6 psi
AG Switching Element multiplier = 3.0
Typical Dead Band corrected for AG switching element:
6 x 3.0 = 18 psi

| Switching Element Designators | Multiplier |
|-------------------------------|------------|
| EF, JF | 1.0 |
| AF | 1.5 |
| EG, JG | 2.0 |
| AG | 3.0 |

Mini-Hermet Pressure Switches

Step 4: Diaphragm and O-Ring

6AG-EF3-M4-C2A-YY

Notes

- N4 diaphragm system is standard, but requires a designator in the model number. It is normally suitable for air, oil, water and non-corrosive processes. M2 diaphragm system is standard on Number 56 vacuum switches.
- U8 designates the welded fire-safe diaphragm system. U8 must be specified for the complete pressure switch to be UL Listed and CSA Certified; it may be specified on ATEX Approved models. See pages 10 and 12. 316SS is stocked. Not available on Number 1 piston or vacuum switches. Example: U8-C2A is a 316SS fire-safe welded diaphragm system.
- U9 designates a welded diaphragm system. Not available on vacuum switches. Example: U9-A1A is a Monel welded diaphragm system. See page 10.
- Other diaphragm and o-ring combinations may be available. Consult the factory or the SOR representative in your area for more information.
- Wetted parts have been selected as representing the most suitable commercially available material for use in the service intended. However, they do not constitute a guarantee against corrosion or permeation, since processes vary from plant to plant and concentration of harmful fluids, gases or solids vary from time to time in a given process. Empirical experience by users should be the final guide. Alternate materials based on this are generally available.
- Specify N3 diaphragm system for high cycle rate, high shock applications where Buna-N and TCP are compatible with the process.
- This table shows allowable minimum and maximum temperatures for o-rings. Consult the factory for temperatures down to -65°F on fire-safe and welded metal diaphragm systems.

| O-Ring Material | °F | °C |
|---------------------------------------|------------|------------|
| Viton | 32 to 400 | 0 to 204 |
| Viton GLT | -20 to 400 | -29 to 204 |
| Kalrez* | 5 to 400 | -15 to 204 |
| Aflas | 25 to 400 | -4 to 204 |
| Buna-N Neoprene EPR | -30 to 200 | -34 to 93 |
| Fire-Safe/Welded Diaphragm System | -30 to 400 | -34 to 204 |
| TCP-Teflon Coated Polyimide Diaphragm | -30 to 400 | -34 to 204 |

*Kalrez or equivalent Perfluoroelastomer (FFKM) o-rings

- Dead bands are slightly higher when using H, N3, N6, J4, J6, U or W series diaphragm options. Consult Factory.
- Diaphragm systems U8, U9 are not available on Number 56 vacuum switches.
- M9 diaphragm system is suitable for steam applications up to 400°F.

| O-Ring (Wetted) | Diaphragm (Wetted) | Designator | |
|------------------------------|-----------------------------------|-----------------------------------|--------------------|
| Viton | Monel | A4 | |
| Kalrez | | A6 | |
| Viton | Hastelloy-B | H4 | |
| Kalrez | | H6 | |
| Viton | Hastelloy-C | J4 | |
| Kalrez | | J6 | |
| Viton | Carpenter-20 | L4 | |
| Kalrez | | L6 | |
| Viton GLT | 316L SS | M1 | |
| Buna-N | | M2 | |
| Viton | | M4 | |
| Neoprene | | M5 | |
| Kalrez | | M7 | |
| Aflas | | M8 | |
| EPR | | M9 (See Note 10) | |
| Viton | | TCP Teflon-Coated Polyimide | N1 |
| Buna-N | | | N3 (See Note 6) |
| Buna-N | N4 Standard (See Note 1) | | |
| Kalrez | | N5 | |
| Kalrez | Kalrez | N6 | |
| EPR | TCP Teflon-Coated Polyimide | N7 | |
| Aflas | | N8 | |
| Buna-N | Buna-N | P1 | |
| Neoprene | Neoprene | R1 | |
| Viton | Viton | S1 | |
| Viton GLT | | S2 | |
| Buna-N | Tantalum | W2 | |
| Viton | | W4 | |
| Neoprene | | W5 | |
| Kalrez | | W6 | |
| EPR Ethylene Propylene | EPR Ethylene Propylene | Y1 | |
| None | Fire-Safe Welded | U8 (See Note 2) | |
| None | Welded | U9 (See Note 3) | |

Mini-Hermet Pressure Switches

Step 5: Pressure Port

6AG-EF3-M4-C2A-YY

| Piston | | 6, 5, 9, 1 | | | 56 | |
|-------------------------|---|--------------------------|-------------|-------------|-------------|-------------|
| Process Connection Size | | 1/4" NPT(F) | 1/2" NPT(F) | 3/4" NPT(M) | 1/4" NPT(F) | 1/2" NPT(F) |
| Pressure Port Material | Carbon Steel Ledloy AX Wrought | F1A (Standard) | F2A | F3A | N/A | N/A |
| | 316SS/316LSS Wrought | C1A | C2A | C3A | C1A | C2A |
| | 347 Stainless Steel Wrought | E1A | E2A | E3A | | |
| | Carpenter 20 Stainless Steel Wrought | L1A | L2A | L3A | | |
| | 316L Stainless Steel Low Carbon | Z1A | Z2A | N/A | | |
| | Brass (See Note 4) Half Hard Yellow Wrought | D1A | D2A | D3A | | |
| | Hastelloy B | H1A | H2A | H3A | | |
| | Hastelloy C | J1A | J2A | J3A | | |
| | Monel | A1A | A2A | A3A | | |

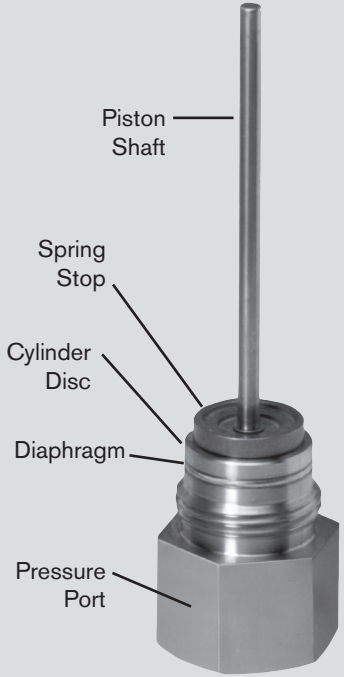

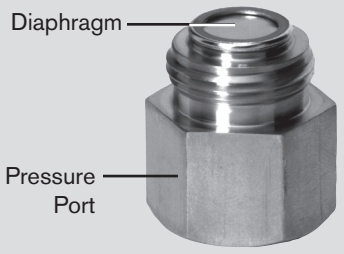
← Consult the factory for availability of Pressure Port Material and Connection Size.

Notes

- Select designator for material and connection size. Large bold face designators denote those items generally available from stock. Small light face designators denote items with limited stock and possible long delivery.
- 1/4" and 1/2" tapered BSP(F) pressure (designated B instead of A in the 3rd position) ports are available.
- The standard material and connection size for Numbers 6, 5, 9 & 1 pressure ports with: aluminum housing is F1A - 1/4" NPT(F) carbon steel; stainless steel housing is C1A - 1/4" NPT(F) 316SS.
- Brass not available on Piston Numbers 9 and 1.
- Other materials such as PVC, Kynar, etc., are available. Denote unlisted material by specifying an X followed by the required connection size, and describe the material.
Examples:
X2A = PVC pressure port with 1/2" NPT(F) connection.
X1A = Titanium pressure port with 1/4" NPT(F) connection.

Non-metal pressure ports generally reduce proof pressure and may reduce overrange pressure. The pressure port material may limit the process temperature. Delivery may be longer than normal.

See the next page for presentation of welded diaphragm and FM Approved fire-safe systems.

| Designator | Description |
|---|---|
| <p>U8</p>  <p>Piston Shaft</p> <p>Spring Stop</p> <p>Cylinder Disc</p> <p>Diaphragm</p> <p>Pressure Port</p> | <p>Fire-Safe Welded Diaphragm System Factory Mutual System Approved- U.S. Patent Number 4,438,305</p>  <p>Tested in flames at 1900°F for periods up to 30 minutes while pressurized to the rated overrange pressure.</p> <p>A metal diaphragm, the cylinder disc and the pressure port are welded as a unit, thereby, eliminating the o-ring. This arrangement may be indicated for extremely corrosive, hot, harsh or volatile process where o-rings are not suitable. See the fire-safe definition on page 13.</p> <p>316SS is standard. Hastelloy B and C, Monel are available with possible longer lead times: The pressure port designator determines the material.</p> <p>Example: U8-C2A U8 = Fire-safe welded diaphragm system C2A = 1/2" NPT(F) 316SS pressure port</p> <p>Note 1/2" NPT(F) is stocked; 1/4" NPT(F) is not stocked and has a longer lead time. Not available on Number 1 piston and vacuum switches.</p> |
| <p>U9</p>  <p>Diaphragm</p> <p>Pressure Port</p> | <p>Welded Diaphragm System</p> <p>A metal diaphragm is welded to the pressure port, thereby, eliminating the o-ring.</p> <p>This arrangement may be indicated for extremely corrosive, hot or harsh process where o-rings are not suitable.</p> <p>316SS is standard. Hastelloy B and C, Monel are available with possible longer lead times: The pressure port designator determines the material.</p> <p>Example: U9-A2A U9 = Welded diaphragm A2A = 1/2" NPT(F) Monel pressure port</p> <p>Note Not available on vacuum switches.</p> |

Mini-Hermet Pressure Switches

Step 6 : Accessories

6AG-EF3-M4-C2A-YY

| Accessory/Option & Description | Designator |
|---|------------|
| Wetted parts are cleaned for oxygen service. | BB |
| Canadian Registration Number (CRN) - Process ratings may be affected. Consult the factory for details. | CV |
| CSA Dual Seal Approval. See Agency Listings on page 12 for details. | DS |
| Universal terminal box, 1/2" NPT(F). 316SS. Explosion proof. ATEX/IECEX Certified Ex db IIC T4, T5, T6 Gb | HB |
| Universal terminal box, M20 x 1.5(F). 316SS. Explosion proof. ATEX/IECEX Certified Ex db IIC T4, T5, T6 Gb | HBME |
| Universal terminal box, 1/2" NPT(F). 316SS. Explosion proof. FM Approved; CSA Certified. | HT |
| Vacuum protector plate. Retains diaphragm system in pressure switch if subjected to intermittent vacuum greater than 10 in. Hg. If a pressure switch is subjected to continuous, rapid changes of vacuum, other protection may be available (consult factory). Material matches or exceeds pressure port material. N/A on Pistons 52, 54, or 56. | MM |
| Compliance to NACE Certification MR0175/ISO 15156. | NC* |
| INMETRO approved pressure switch. See Agency Listings on page 12 for details. | NM |
| Pipe (stanchion) mounting kit for (1-1/2 to 2" pipe.) | PK |
| Tag, fiber. Attached with plastic wire to housing. Printed with customer-specified tagging information. | PP |
| Powder coat epoxy coating. No coating on stainless steel parts or plated screws. (500 hours-salt spray) | PY |
| Tag, stainless steel. Attached with stainless steel wire to housing. Stamped with customer-specified tagging information. (2 lines, 18 characters and spaces per line.) | RR |
| Explosion-proof and weathertight electrical junction box with screw terminals. Aluminum 3/4" NPT(F) top, left or right conduit connections as required. UL Listed and CSA Certified Class I, Groups A, B, C, D; Class II, Groups E, F, G; Divisions 1 & 2. (TA housing.) Includes cover o-ring for weathertight applications. Not available with BG, BH or JH housings. | TB |
| Taiwan Safety Mark. Available with BG or BH housing. | TS |
| Oversize stainless steel nameplate or separate stainless steel tag. Permanently attached to housing. Stamped with customer-specified tagging information. | TT |
| Fungicidal varnish. Covers exterior and interior except working parts. | VV |
| Epoxy coating. Exterior only. Polyimide epoxy with 316SS pigment. (200 hours-salt spray) | YY |
| "X" is used as a suffix to the model number for special requirements not keyed elsewhere in the model number by an "X". Each "X" must be completely identified in the text of the order or inquiry. When more than one "X" is required, use "X" followed by the number of such items. For example, "X3" means three separate otherwise unidentifiable requirements. | X |

*Consult factory for materials other than A105, A106B, 316/316L, or 304/304L.

Test Certificates

| Certificates | C1 | C2 | C3 | C4 | C5 | C6 | C8 | B1 | B4 | B5 | B6 | B7 | A1 | A2 | A3 | A4 | A5 | A6 | A7 | A8 |
|----------------------------------|----|----|----|----|----|----|----|----|----|----|----|----|----|----|----|----|----|----|----|----|
| Calibration | ◆ | | | | | | | ◆ | ◆ | ◆ | ◆ | ◆ | ◆ | ◆ | ◆ | ◆ | ◆ | ◆ | ◆ | ◆ |
| Hydrostatic Pressure Test | | ◆ | | | | | | ◆ | ◆ | | | | | ◆ | ◆ | ◆ | ◆ | ◆ | ◆ | ◆ |
| Inspection Report | | | ◆ | | | | | ◆ | ◆ | ◆ | ◆ | ◆ | | | ◆ | ◆ | | ◆ | ◆ | ◆ |
| Compliance / Conformance | | | | ◆ | | | | | | | | ◆ | ◆ | ◆ | | ◆ | ◆ | | | ◆ |
| Dielectric Test | | | | | ◆ | | | | ◆ | ◆ | | | | | | | | | | ◆ |
| Insulation Resistance | | | | | | ◆ | | | ◆ | ◆ | ◆ | | | | | | | ◆ | ◆ | ◆ |
| Typical Material of Wetted Parts | | | | | | | ◆ | ◆ | ◆ | | | | ◆ | | | | ◆ | ◆ | | |

Mini-Hermet Pressure Switches

Agency Approval

The chart below shows authorized combinations of components so that the complete pressure switch is approved, certified or listed by the cognizant agencies. Components or combinations of them may acquire additional approval, certification or listing prior to revision of this catalog. Contact the factory for the most current information.

UL For Hazardous Locations Class I, Groups A, B, C, D; Class II, Groups E, F, G; Divisions 1 & 2

| Piston | Housing | Switching Element | Spring | Diaphragm System | Pressure Port Material and Connection Size | Accessories Options |
|---------|---------|------------------------|----------------|------------------|--|--|
| 5, 6, 9 | AP, AS | AF, AG, EF, EG, JF, JG | 2, 3, 4, 5, 45 | U8 | C1A C2A | BB, NC, NN, PK, PP, RR, TB, TT, VV, YY |

Note: UL Listed models are suitable for handling petroleum-based, flammable and combustible liquids and gases, air, oxygen and water at fluid temperatures not exceeding 40°C and ambient temperatures not exceeding 40°C.

CSA For Hazardous Locations Class I, Group A, B, C, D; Class II, Groups E, F, G; Divisions 1 & 2

| Piston | Housing | Switching Element | Spring | Diaphragm System | Pressure Port Material and Connection Size | Accessories Options |
|---------|---------|------------------------|----------------|------------------|--|--|
| 5, 6, 9 | AP, AS | AF, AG, EF, EG, JF, JG | 2, 3, 4, 5, 45 | U8 | C1A C2A | BB, HT, NC, PK, PP, RR, TB, TT, VV, YY |

For Dual Seal Approval

| Piston | Housing | Switching Element | Spring | Diaphragm System | Pressure Port Material and Connection Size | Accessories Options |
|----------------|----------------|------------------------|---------------------|--------------------|--|---------------------------------------|
| 1, 5, 6, 9, 56 | AG, AH, AP, AS | AF, AG, EF, EG, JF, JG | 2, 3, 4, 5, 45, 316 | M2, M4, N4, U8, U9 | C1A C2A | DS Required CV, NC, PP, RR, TT, YY |

ATEX\ IECEX or INMETRO Ex db IIC T5/T6 Gb

| Piston | Housing | Switching Element | Spring | Diaphragm System | Pressure Port Material and Connection Size | Accessories Options |
|------------|---------|------------------------|----------------|--|--|--------------------------------------|
| 5, 6, 9 | BG, BH | AF, AG, EF, EG, JF, JG | 2, 3, 4, 5, 45 | U8, U9 | All | BB, HB, HBME, PP, RR, TS, TT, VV, YY |
| 1, 5, 6, 9 | | | 2, 3, 4, 5, 45 | A4, M1, M2, M4, M5, M7, M8, N1, N3, N4, N5, N6, N7, N8, P1, R1, S1, S2, W2, W4, W5, W6, Y1 | | NM required for INMETRO |

Rostechnadzor (RTN) Certificate

Permit for instruments used and operated in hazardous industrial facilities in Russia. Standard on most models. Certificate available on request.

SOR recognizes that there is no industry convention with respect to terminology and definitions pertinent to pressure switches. This glossary applies to SOR pressure with hermetically switching element capsules.

Pressure Switch

A bi-stable electromechanical device that actuates/deactuates one or more electrical switching element(s) at a predetermined discrete pressure/vacuum (Set Point) upon rising or falling pressure/vacuum.

Adjustable Range

The span of pressure between upper and lower limits within which the pressure switch can be adjusted to actuate/deactuate. It is expressed for increasing pressure.

Set Point

That discrete pressure at which the pressure switch is adjusted to actuate/deactuate on rising or falling pressure. It must fall within the adjustable range and be called out as increasing or decreasing pressure.

Dead Band

The difference in pressure between the increasing Set Point and the decreasing Set Point. It is expressed as typical, which is an average with the increasing Set Point at mid range for a pressure switch with the standard K switching element. It is normally fixed (non-adjustable).

Overrange

The maximum input pressure that can be continuously applied to the pressure switch without causing permanent change of Set Point, leakage or material failure.

Proof Pressure

The maximum input pressure that can be continuously applied to the pressure switch without causing leakage or catastrophic material failure. Permanent change of Set Points may occur, or the device may be rendered inoperative.

Repeatability

The ability of a pressure switch to successively operate at a Set Point that is approached from a starting point in the same direction and returns to the starting point over three consecutive cycles to establish a pressure profile. Repeatability on SOR switches will be smaller than 1% of full scale per ISA/ANSI S51.1.

SPDT Switching Element

Single-Pole, Double Throw (SPDT) has three connections: C – Common, NO – Normally Open and NC – Normally Closed, which allows the switching element to be electrically connected to the circuit in either NO or NC state.

DPDT Switching Element

DPDT is two synchronized SPDT switching elements which actuate together at increasing Set Point and deactuate together at decreasing Set Point. Discrete SPDT switching elements allow two independent circuits to be switched; i.e., one AC and one DC.

The synchronization linkage is factory set, and is not field adjustable. Synchronization is verified by connecting test lamps to the switching elements and observing them go “On” simultaneously at actuation and “Off” simultaneously at deactuation.

Fire-Safe

The ability of a welded seal pressure sensor to contain the process at elevated temperatures up to 1200°F at the rated overrange pressure, unsupported by the body of the pressure switch.

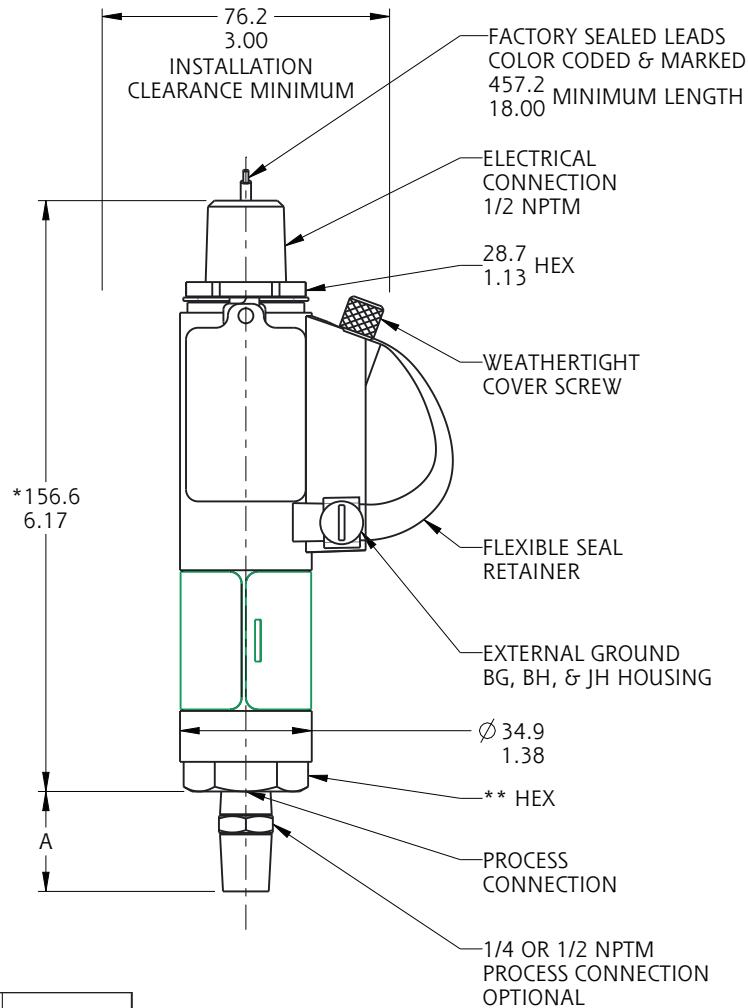
Hermetically Sealed

A welded steel capsule with glass-to-metal, factory-sealed, electrical leads that isolates the electrical switching element(s) from the environment.

Mini-Hermet Pressure Switches

Dimensions

Dimensions shown are for reference only. They may be changed without notice. Contact the factory for certified dimension drawings. Linear = mm/in.



| PROCESS CONNECTION SIZE | LENGTH A |
|-------------------------|--------------|
| 1/4 NPTM SHOWN | 29.7 1.17 |
| 1/2 NPTM | 38.9 1.53 |

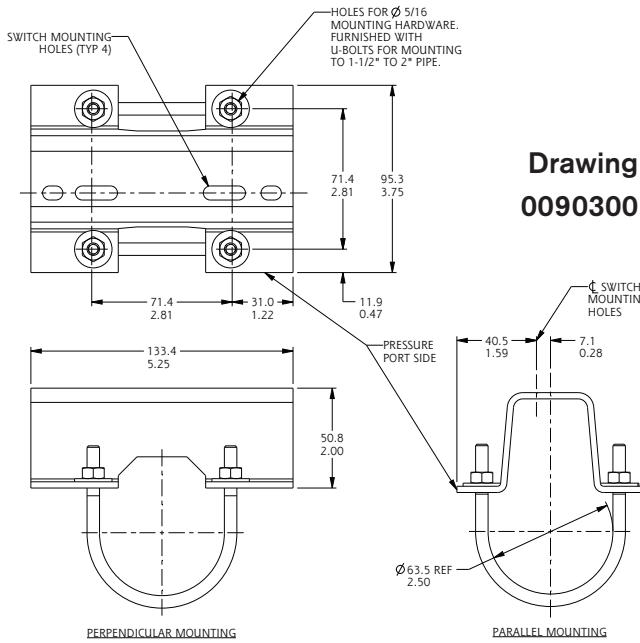
Drawing 0090119

| PROCESS CONN SIZE | * LENGTH 1,5,6,9 | * LENGTH 2,3 | * LENGTH 56 | ** HEX 1,5,6,9,56 | ** HEX 2,3 |
|-------------------|------------------|------------------|------------------|-------------------|--------------|
| 1/4 NPTF | SHOWN | ADD 14.0 0.55 | ADD 18.3 0.72 | 28.7 1.13 | 28.7 1.13 |
| 1/2 NPTF | ADD 13.2 0.52 | ADD 24.1 0.95 | | | 38.1 1.50 |
| 9/16 SAE | SHOWN | ADD 14.0 0.55 | N/A | | 28.7 1.13 |
| 3/4 NPTM | ADD 23.1 0.91 | N/A | | | N/A |

Mini-Hermet Pressure Switches

Dimensions

Pipe Mounting Bracket - PK

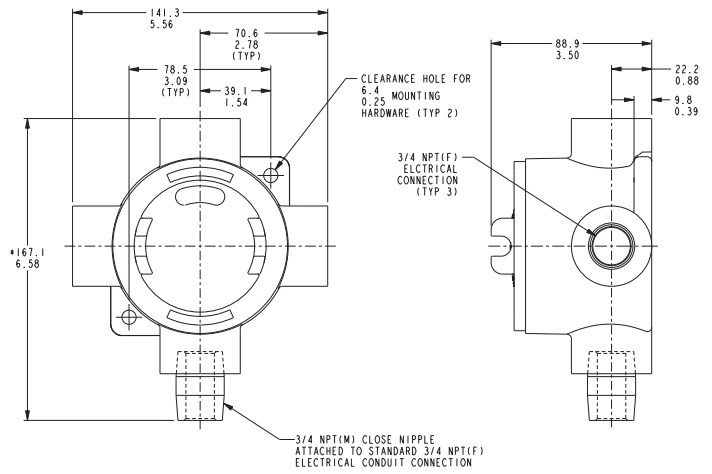


Drawing 0090300

Perpendicular Mounting

Parallel Mounting

Junction Box with Terminal Block - TB



*Dimension shown is approximate and based on a 5-thread engagement.

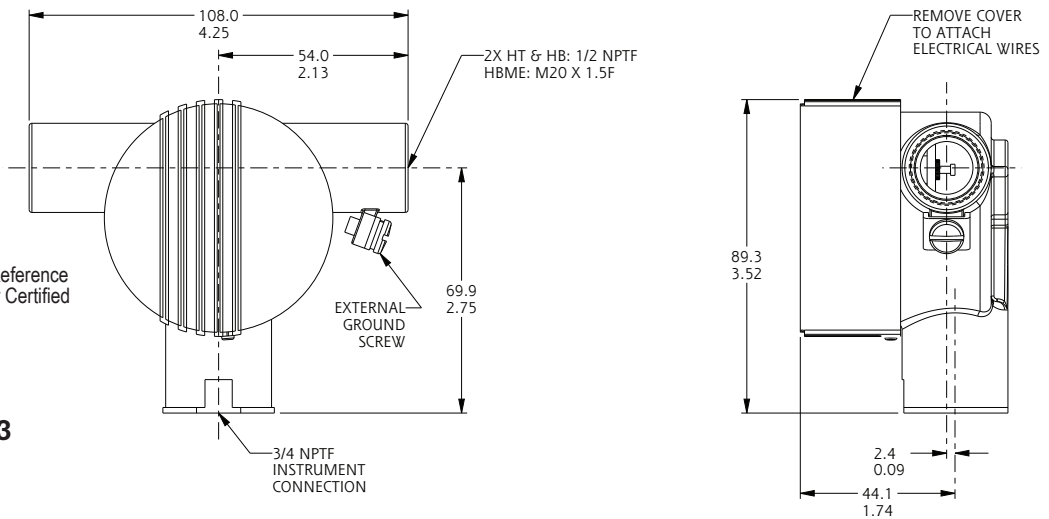
Drawing 0091353

Terminal Boxes H Series

Dimensions Shown are for Reference Only. Contact the Factory for Certified Dimension Drawings.

Linear = mm/in.

Drawing 0090763



Approximate Weight

| Component | Designator | Weight (lbs) | (kgs) |
|-------------------|----------------|----------------------|--------|
| Housing | AG, AP, BG | 1.5 | [0.7] |
| Housing | AH, AS, BH, JH | 2.0 | [1.0] |
| Junction Box | TB | (Add to housing) 5 | [2.25] |
| Pipe Mounting Kit | PK | (Add to housing) 1.5 | [0.7] |
| Terminal Box | HB, HBME, HT | (Add to housing) 2.0 | [1.0] |



MEASUREMENT AND CONTROL

SOR Inc. | Lenexa, KS USA | 913-888-2630 | Fax 913-888-0767 | SORInc.com

REGIONAL OFFICES

China

SOR China | Beijing, China | china@SORInc.com
+86 10 5820 8767 | Fax +86 10 5820 8770

Middle East

SOR Measurement & Control Equipment Trading DMCC | Dubai, UAE
middleeast@SORInc.com | +971 4 278 9632 | Fax +913 312 3596